

INSTRUCTION MANUAL

TCS-3 Mobile Tool Cabinet Seat 670 x 359 x 406mm



A001

HAFCO

CREEPER SEAT TOOL BOX

OWNERS MANUAL



WARNING!

It is the owner and/or operators' responsibility to study all WARNINGS, operating, and maintenance instructions contained on the product label and instruction manual prior to operation of this creeper seat tool box. The owner operator shall retain product instructions for future reference.

The owner and/or operator are responsible for maintenance, maintaining all decals or warning labels and while in use, maintaining the unit in good working order. Make sure that the operator comprehends its contents. Safety information shall be emphasized and understood prior to usage. The tool shall be inspected per the operating instructions.

Protect yourself and others by observing all safety information.

Code A001

SPECIFICATIONS

Capacity:.....350 Lbs.
Overall Dimensions:.....26-3/8 x 14-1/8 x 16"

Maximum Drawer Capacity:22 Lbs.
Side tool tray maximum capacity:.....11 Lbs.

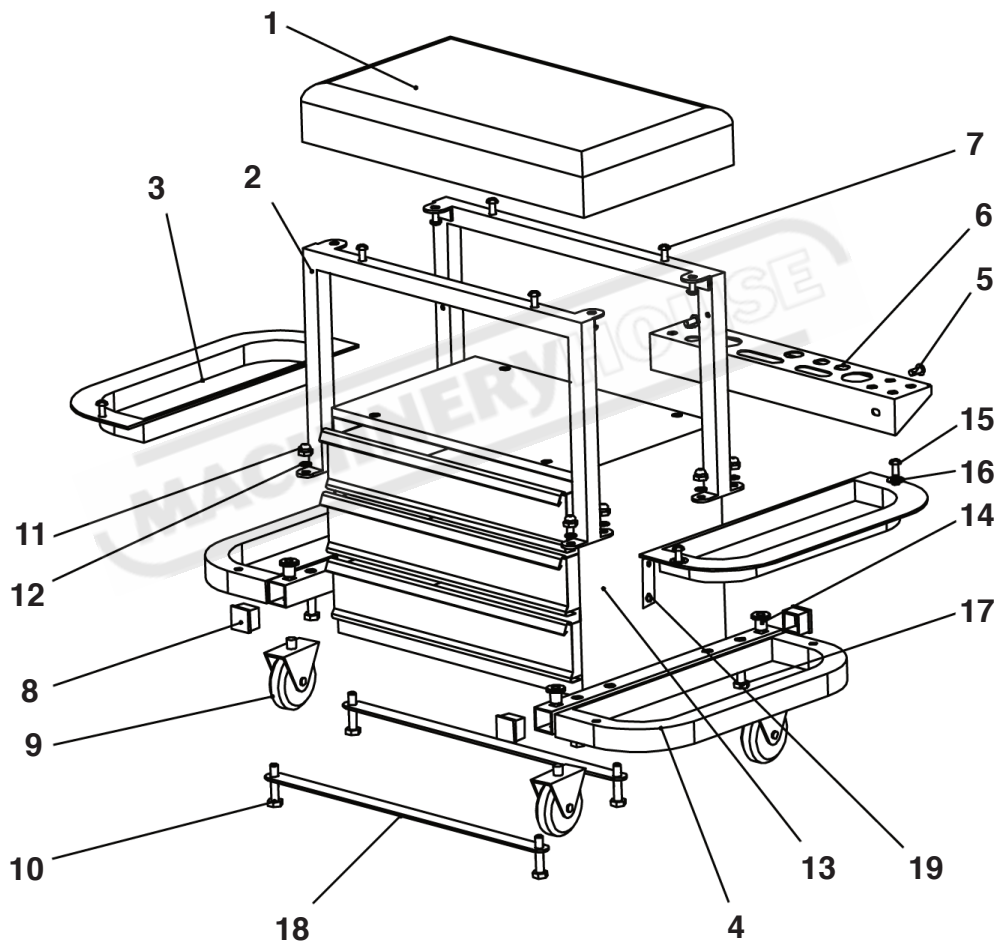
This product is designed to support a maximum capacity of 159 kg, including all tools and equipment. It is intended to be used to support and transport, along a smooth and level surface. This product is not intended, designed or engineered to be used for any other purpose.

Specifications are subject to change without notice

IMPORTANT SAFETY INFORMATION

▲ WARNING! READ, UNDERSTAND AND FOLLOW ALL INSTRUCTIONS, AND WARNINGS BEFORE OPERATING THIS TOOL. FAILURE TO DO SO MAY RESULT IN PERSONAL INJURY AND/OR PROPERTY DAMAGE AND WILL VOID WARRANTY.

PARTS DIAGRAM



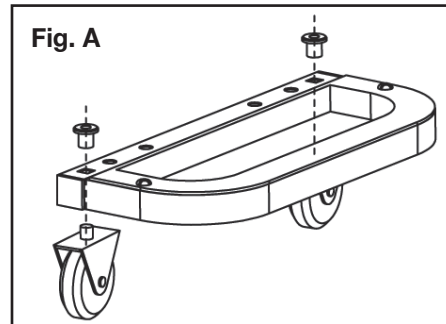
PARTS LISTING

No.	Description	Qty.	No.	Description	Qty.	No.	Description	Qty.
1	Stool Pad	1	8	Plastic Tube Cap	4	14	Sleeve Nut	4
2	Body Frame	2	9	2.5" PVC Caster	4	15	Bolt M8x16	4
3	Plastic Tray	2	10	Bolt M8x40	4	16	Washer 8	4
4	Side tray frame	2	11	Nut M8	8	17	Bolt M8x35	4
5	Bolt M6x10	2	12	Washer 8	8	18	Support Bar	2
6	Tool Holder Shelf	1	13	Body with 3 Drawers	1	19	Buckle	2
7	Bolt M6x30	8						

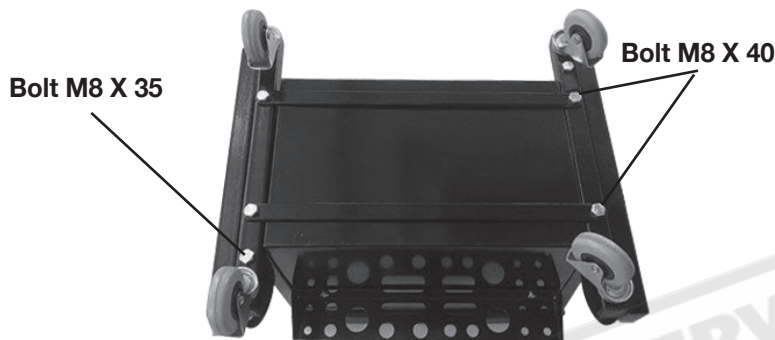
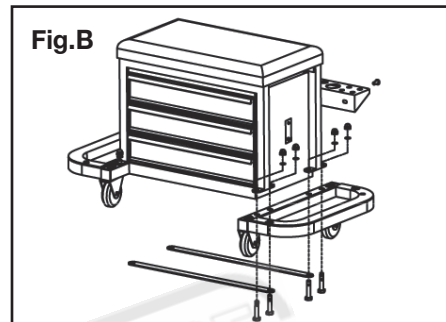
ASSEMBLY

Before assembly of this product, make sure all parts are present. Compare parts with the contents list and diagram. If any part is missing or damaged, do not attempt to assemble, install or operate the product.

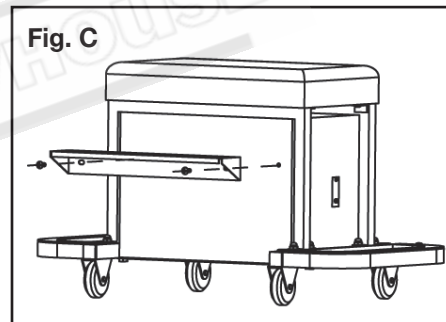
Step 1: Assemble 4 casters (No. 9), through the hole on the side tray's frame (No. 4) as shown in Fig. A. Then tighten the sleeve nut using an inner hexagon wrench.



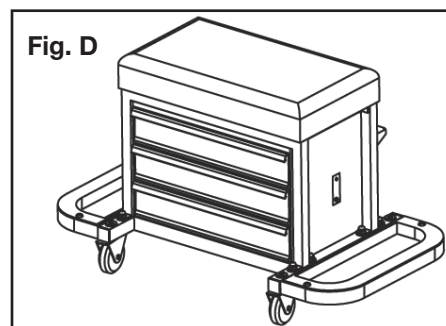
Step 2: To assemble two magnetic tool trays, insert the bolt (No. 10) through the support bar (No. 18), then through the holes on the frame of side tray (No. 4), then through the body frame (No. 2), then add the washer (No. 12) to tighten the nut (No. 11), as shown (Fig. B).



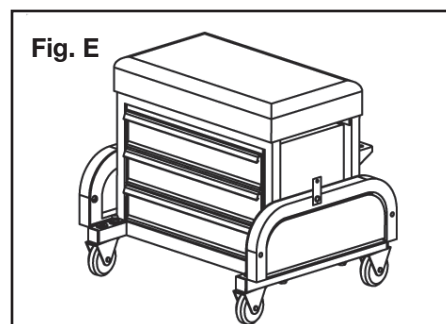
Step 3: To assemble the rear tool and screwdriver holder, screw the bolt (No. 5) into the hole on the back side of the body, as shown (Fig. C).



Step 4: Final assembled product shown (Fig. D).



Step 5: The side tray folds down using the Buckle (No. 19), which is inserted in the hole in the frame, as shown (Fig. E).



CARE & MAINTENANCE

Little maintenance is required for this product. Wipe clean as needed; use mild upholstery cleaner (not caustic) to clean seat.

- NEVER add lubricant to casters!
- Periodically check that all of the fasteners are tight.
- Keep the seat clean. Wash it with a mild soap and dry immediately.

STORAGE

When you are finished using the stool, store it in a safe place where it will not disturb or hinder others.

1 YEAR LIMITED WARRANTY

Hafco makes every effort to assure that its products meet high quality and durability standards, and warrants to the original purchaser that this product is free from defects in materials and workmanship for the period of 1 Year from the date of purchase. This warranty does not apply to damage due directly or indirectly, to misuse, abuse, negligence or accidents, repairs or alterations outside our facilities, criminal activity, improper installation, normal wear and tear, or to lack of maintenance. We shall in no event be liable for death, injuries to persons or property, or for incidental, contingent, special or consequential damages arising from the use of our product. THIS WARRANTY IS EXPRESSLY IN LIEU OF ALL OTHER WARRANTIES, EXPRESS OR IMPLIED, INCLUDING THE WARRANTIES OF MERCHANTABILITY AND FITNESS.

To take advantage of this warranty, the product or part must be returned to the point of sale with transportation charges prepaid. Proof of purchase date and an explanation of the complaint must accompany the merchandise. If our inspection verifies the defect, we will either repair or replace the product at our discretion or we may elect to refund the purchase price if we cannot readily and quickly provide you with a replacement. We will return repaired products at our expense, but if we determine there is no defect, or that the defect resulted from causes not within the scope of our warranty, then you must bear the cost of returning the product.